

4

3

2

1

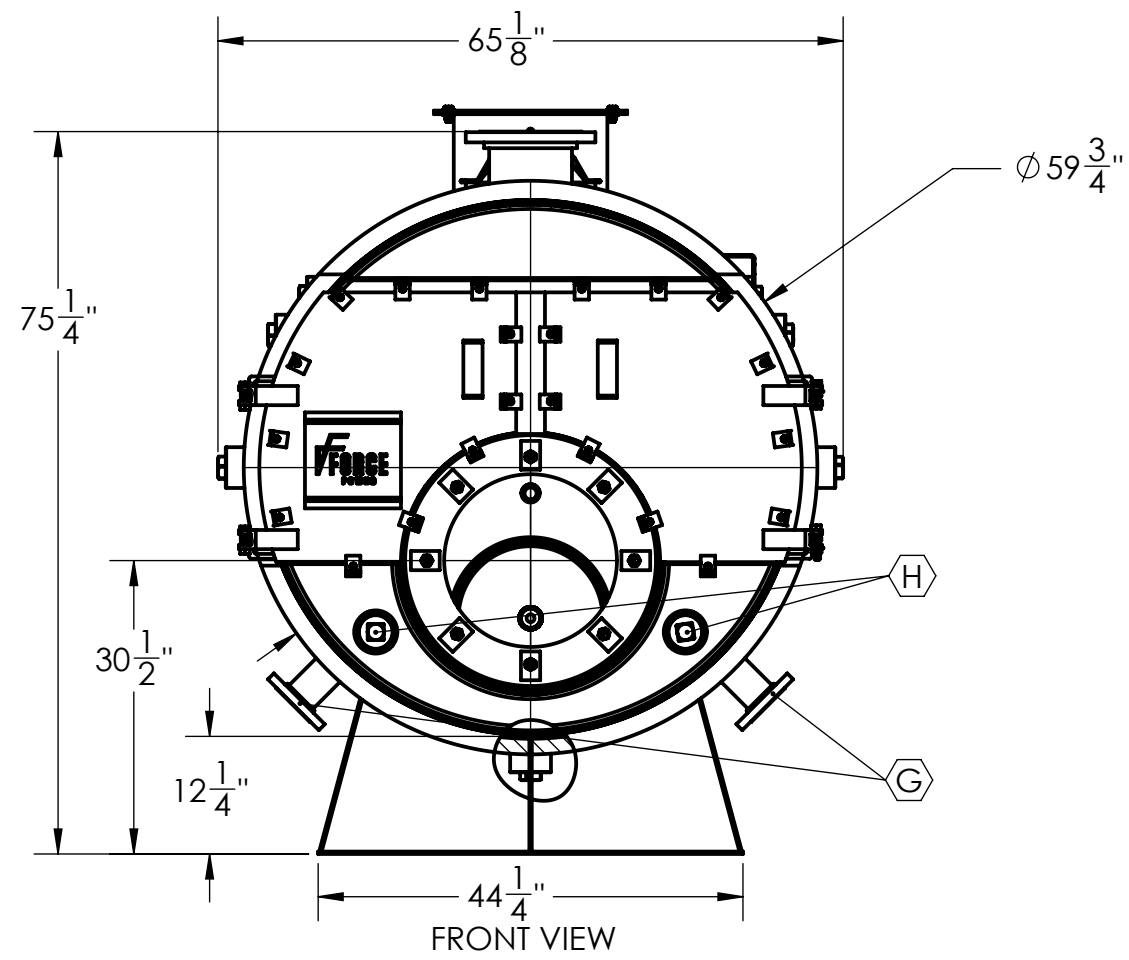
BOILER DATA	
OPERATING VOLUME (USG)	680
OPERATING WEIGHT (LBS)	13600
HEAT INPUT (MBH)	2860
OUTPUT (HP)	70

VENT FLANGE DIMENSIONS	
OD	20-1/8
ID	16
B.C.D.	18.5
NO. OF HOLES	8
HOLE DIAMETER	1/2

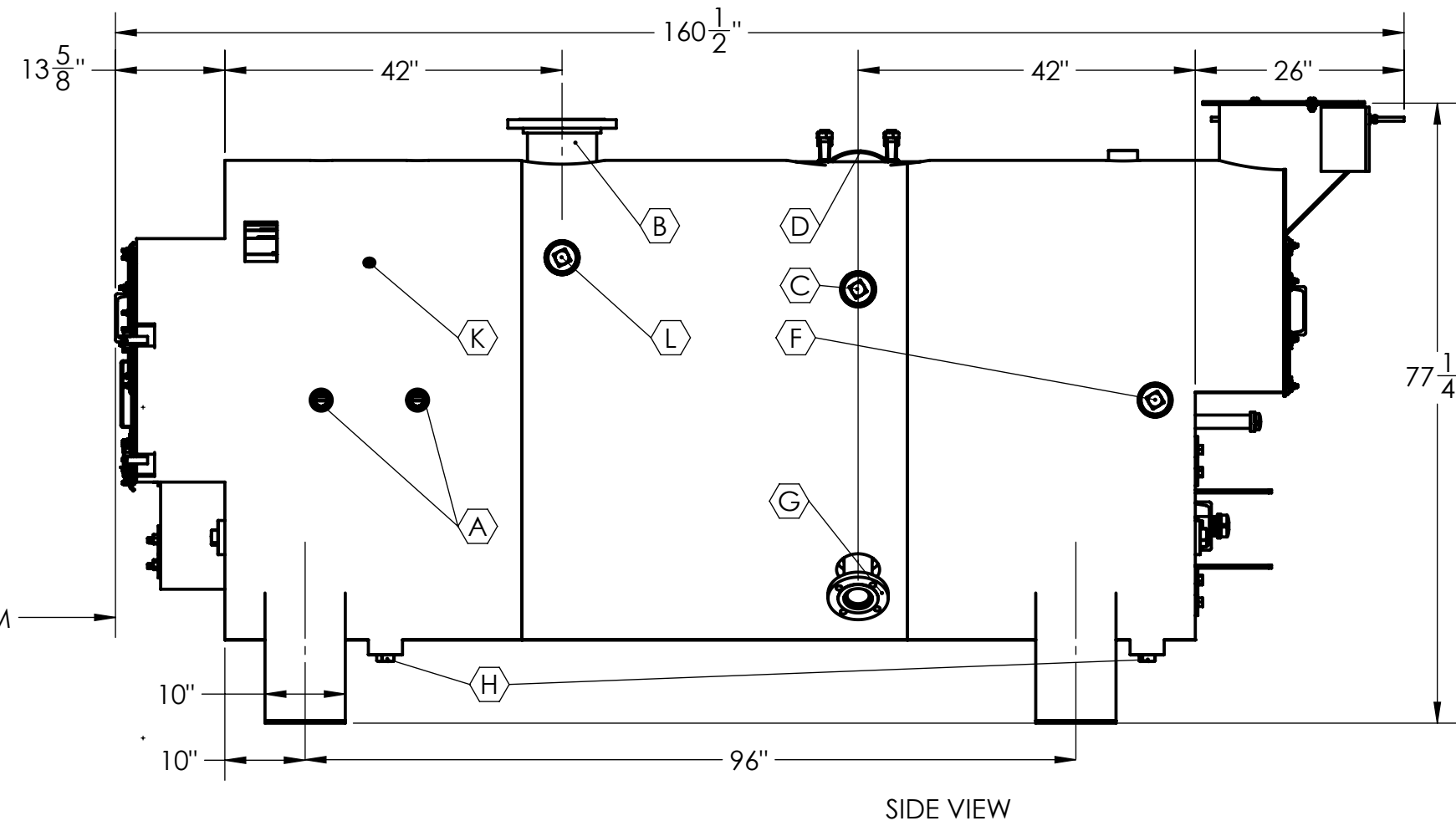
CONNECTION SCHEDULE

TAG	DESCRIPTION	CONNECTION		
		SIZE (INCH)	TYPE	RATING
A*	CONTROLS	1-1/4	HALF COUPLING	3000#
B	STEAM OUTLETS	8	SORF FLANGE	150#
C*	SURFACE BLOWDOWN	3	FULL COUPLING	3000#
D	MANHOLE	12X16	ELLIPTICAL	
E	SAFETY RELIEF VALVE	2-1/2	FULL COUPLING	3000#
F*	REVERSING CHAMBER WASHOUT	3	FULL COUPLING	3000#
G*	CONDENSATE INLET	3	SORF FLANGE	150#
H	WASHOUTS	3	FULL COUPLING	3000#
J	REAR DOOR	16		
K*	LOW FIRE HOLD	1/2	FULL COUPLING	3000#
L*	FURNACE INSPECTION	3	FULL COUPLING	3000#
M	TUBE PULL	120		

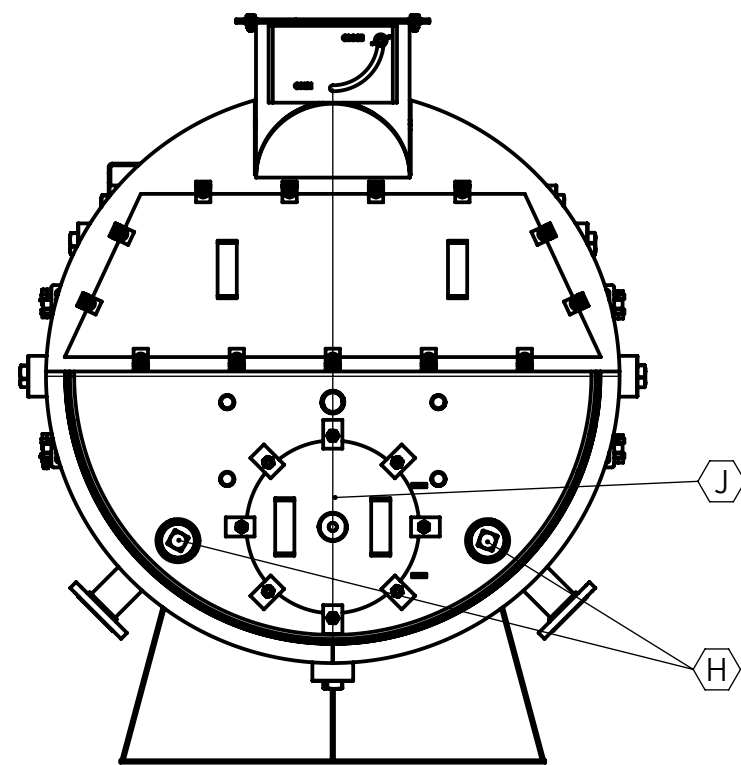
\* - Owner chooses left/right installation



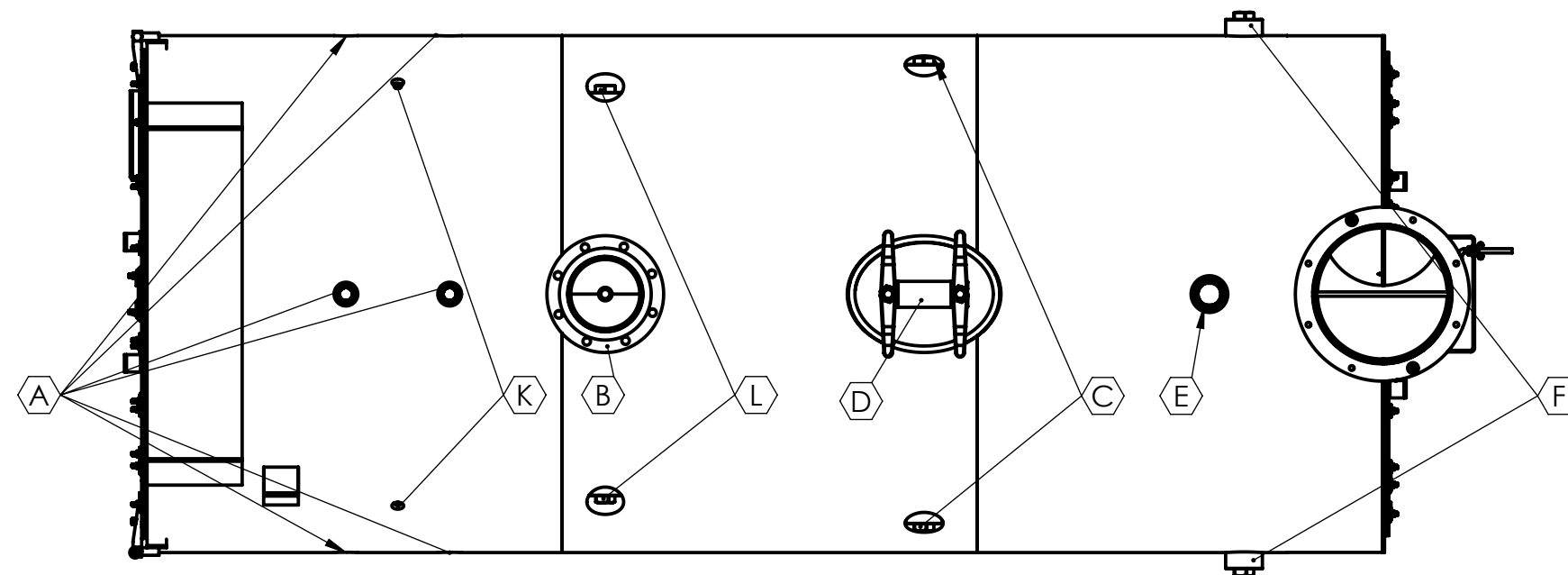
FRONT VIEW



SIDE VIEW



REAR VIEW



TOP VIEW

1. ADEQUATE BOIL OUT PROCEDURES MUST BE IMPLEMENTED BEFORE BOILER PLACED IN SERVICE (SEE OPERATION MANUAL).
2. PROPER WATER TREATMENT PROGRAM IS CRITICAL TO THE OPERATION OF THIS BOILER.
3. WARRANTIES, EXPRESSED OR IMPLIED, WILL BE RENDERED NULL AND VOID IF PROPER WATER TREATMENT PROGRAM IS NOT IMPLEMENTED AND MAINTAINED. CONSULT LOCAL WATER TREATMENT SPECIALISTS FOR DESIGN AND SUPPLY OF REQUIRED WATER TREATMENT SYSTEM

**PROPRIETARY AND CONFIDENTIAL**  
 THE INFORMATION CONTAINED IN THIS DRAWING IS THE SOLE PROPERTY OF FORCE POWER. ANY REPRODUCTION IN PART OR AS A WHOLE WITHOUT THE WRITTEN PERMISSION OF FORCE POWER IS PROHIBITED.

UNLESS OTHERWISE SPECIFIED:		NAME	DATE
DIMENSIONS ARE IN INCHES		DRAWN	SR 10/30/2015
TOLERANCES:		CHECKED	
ANGULAR: ± 0.25°		ENG APPR.	
TWO PLACE DECIMAL ± .010"		MFG APPR.	
THREE PLACE DECIMAL ± .005"		Q.A.	
SURFACE FINISH		COMMENTS:	
INTERPRET GEOMETRIC TOLERANCING PER: ANSI Y14.5			
MATERIAL SEE NOTE 1			
FINISH SEE NOTE 3			
NEXT ASSY	USED ON		
APPLICATION	DO NOT SCALE DRAWING		

30 Commerce Park Drive  
 Niskayuna, NY, 12309, USA  
 PH. (518) 377-2349, FAX (518) 344-7495

**FORCE**

TITLE: TCS-70 Boiler ASSY (3p)

SIZE DWG. NO. REV  
**C** 50702\_SM ---

SCALE: 1:48 WEIGHT: 8295.015 SHEET 1 OF 1

4

3

2

1