

4

3

2

1

BOILER DATA

OPERATING VOLUME (USG)	1010
OPERATING WEIGHT (LBS)	19400
HEAT INPUT (MBH)	5110
OUTPUT (HP)	125

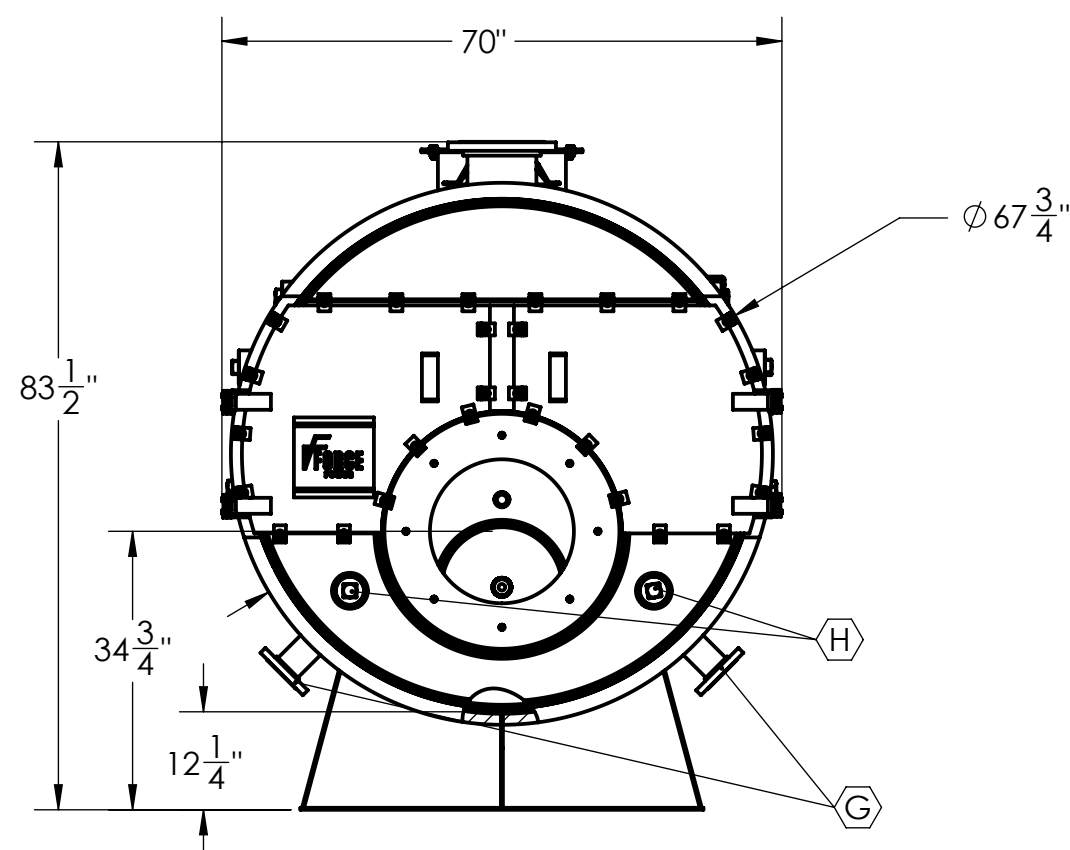
VENT FLANGE DIMENSIONS

OD	20-1/8
ID	16
B.C.D.	18.5
NO. OF HOLES	8
HOLE DIAMETER	1/2

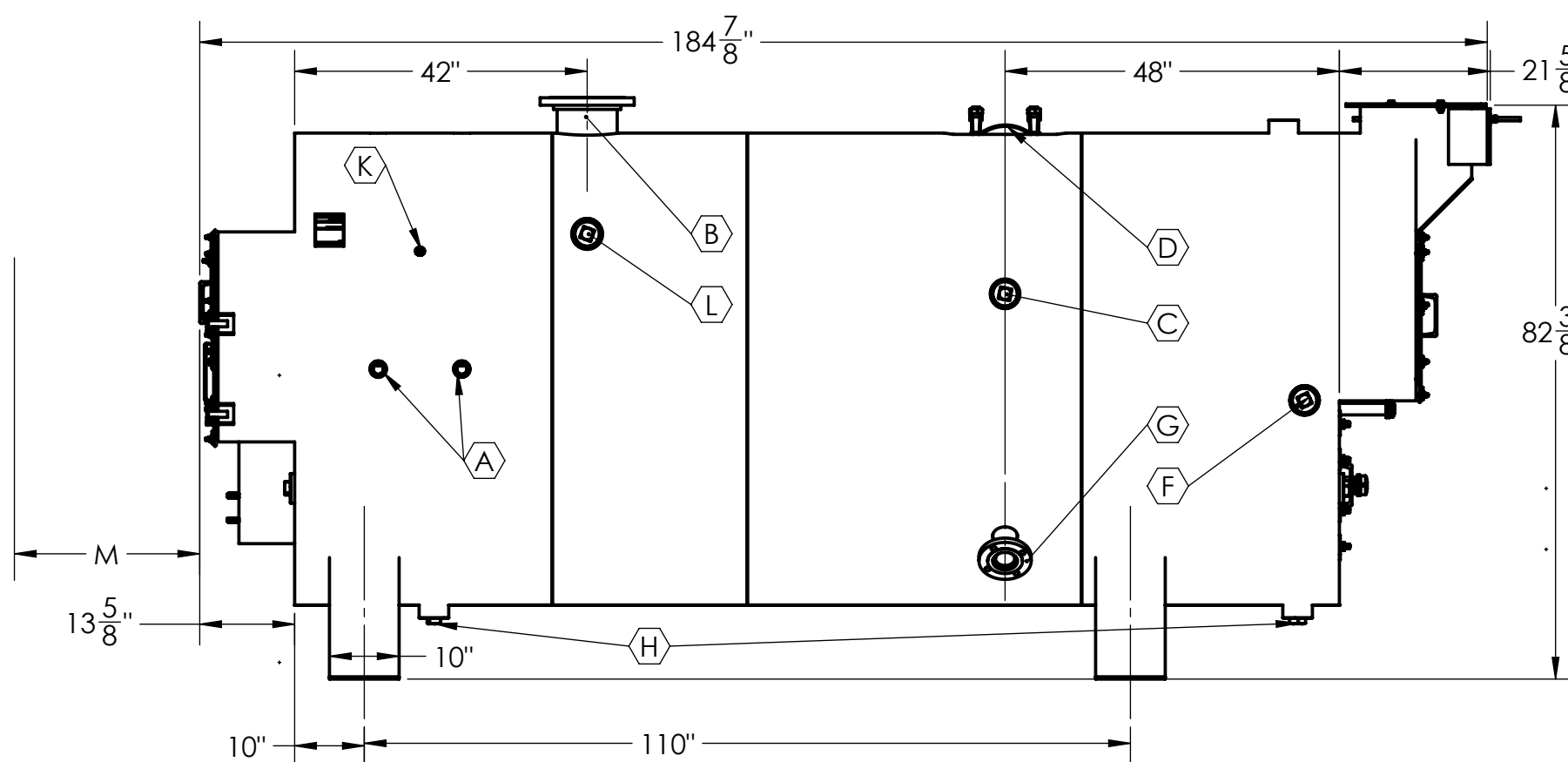
CONNECTION SCHEDULE

TAG	DESCRIPTION	CONNECTION		
		SIZE (INCH)	TYPE	RATING
A*	CONTROLS	1-1/4	HALF COUPLING	3000#
B	STEAM OUTLETS	10	SORF FLANGE	150#
C*	SURFACE BLOWDOWN	3	FULL COUPLING	3000#
D	MANHOLE	12X16	ELLIPTICAL	
E	SAFETY RELIEF VALVE	3	FULL COUPLING	3000#
F*	REVERSING CHAMBER WASHOUT	3	FULL COUPLING	3000#
G*	CONDENSATE INLET	4	SORF FLANGE	150#
H	WASHOUTS	3	FULL COUPLING	3000#
J	REAR DOOR	16		
K*	LOW FIRE HOLD	1/2	FULL COUPLING	3000#
L*	FURNACE INSPECTION	3	FULL COUPLING	3000#
M	TUBE PULL	150		

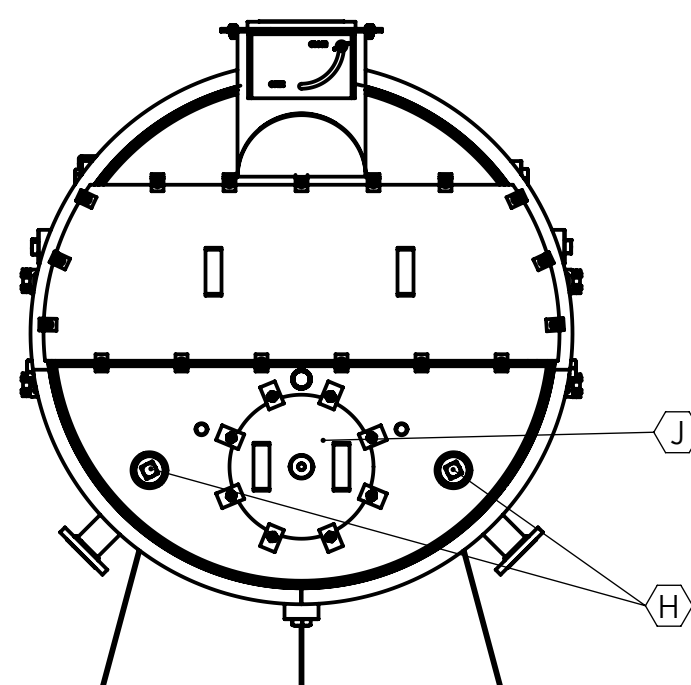
* - Owner chooses left/right installation



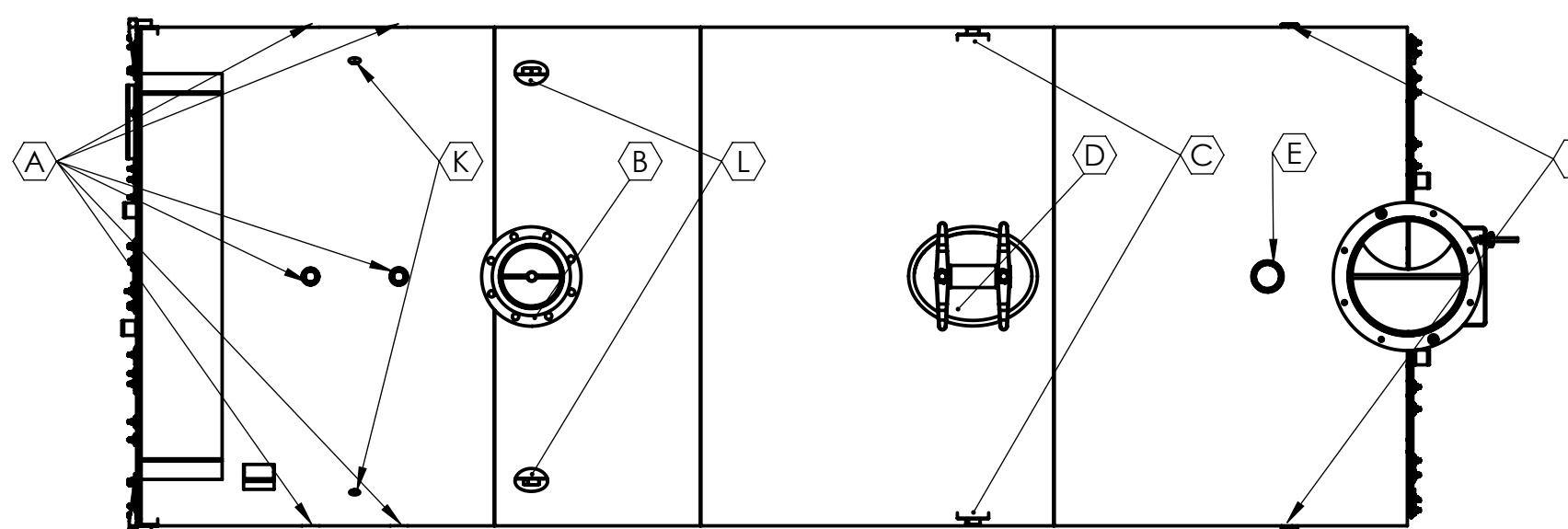
FRONT VIEW



SIDE VIEW



REAR VIEW



TOP VIEW

1. ADEQUATE BOIL OUT PROCEDURES MUST BE IMPLEMENTED BEFORE BOILER PLACED IN SERVICE (SEE OPERATION MANUAL).
2. PROPER WATER TREATMENT PROGRAM IS CRITICAL TO THE OPERATION OF THIS BOILER.
3. WARRANTIES, EXPRESSED OR IMPLIED, WILL BE RENDERED NULL AND VOID IF PROPER WATER TREATMENT PROGRAM IS NOT IMPLEMENTED AND MAINTAINED. CONSULT LOCAL WATER TREATMENT SPECIALISTS FOR DESIGN AND SUPPLY OF REQUIRED WATER TREATMENT SYSTEM
4. ALL DIMENSIONS FOR REFERENCE ONLY.

PROPRIETARY AND CONFIDENTIAL
 THE INFORMATION CONTAINED IN THIS DRAWING IS THE SOLE PROPERTY OF FORCE POWER. ANY REPRODUCTION IN PART OR AS A WHOLE WITHOUT THE WRITTEN PERMISSION OF FORCE POWER IS PROHIBITED.

UNLESS OTHERWISE SPECIFIED:					
DIMENSIONS ARE IN INCHES	DRAWN	SR	7/1/2015	NAME	DATE
TOLERANCES:	CHECKED				
ANGULAR: ± 0.25°	ENG APPR.				
TWO PLACE DECIMAL ± .010"	MFG APPR.				
THREE PLACE DECIMAL ± .005"	Q.A.				
SURFACE FINISH	COMMENTS:				
INTERPRET GEOMETRIC TOLERANCING PER: ANSI Y14.5					
MATERIAL SEE NOTE 1					
FINISH SEE NOTE 3					
APPLICATION					

30 Commerce Park Drive
 Niskayuna, NY, 12309, USA
 PH. (518) 377-2349, FAX (518) 344-7495

FORCE

TITLE: TCS-125 Boiler ASSY (3p)

SIZE DWG. NO. REV
C 51202_SM --

SCALE: 1:48 WEIGHT: 11642.75 SHEET 1 OF 1

4

3

2

1